



Tailor-made solutions engineered for you

Safety & Protection



The primary concern of Servinox is the security and safety of materials and persons. Our teams have obtained excellent results from their observations and analysis of industrial problems and are now able to offer an extensive range of equipment recognised for its efficiency, ease of use and reliability.

Depending on the model, the equipment can be installed on the process line or on the tank, to provide protection against excess pressure and/or vacuums, collect the blow-offs and/or to provide protection against thermal shocks.

SERVINOX possesses the expertise and tools for recommending and dimensioning the valve, thereby guaranteeing the security of the installation, in line with tank and process line characteristics, resistance and washing conditions.

We are committed to our recommendations and the performance and results of our equipment.

Fully autonomous operation

No external control is required for the operation of our safety valves.

HSV & BOG: Protect the tanks against thermal shocks

The HSV and BOG safety valves guarantee tank integrity in the event of sudden temperature variations that, in particular, can be caused by NEP cycles (hot wash followed by cold rinse).

SERVINOX possesses tools to dimension a valve with respect to tank characteristics and service conditions.

BOG, HSV, BOT & SHP: Collect pressure blow-off

BOG, HSV, BOT and SHP valves are also available with an integrated collector, for recycling blow-offs (the blow-off storage and recycling equipment is not supplied).

HSV & BOG: An option for operation at negative ambient temperatures

Servinox also offers an option for temperature maintenance and freeze protection by a temperature and resistance (HSV) probe or heater cable and thermostat (BOG), to ensure operation at outdoor temperatures below 0 °C.

BOGV: A valve specifically designed for the production of wine and Champagne

The optimally designed BOGV valve guarantees maintaining the gas stratification of the tank while offering one of the best price/quality ratios on the market and unequalled ease of maintenance.

HSV: 3-A certified hygienic valve

The HSV valve is available in its standard version with 3-A certification, thereby offering American industry players compliance with prevailing American food standards.

It should be noted that for all its equipment SERVINOX complies with the recommendations of the guidelines and international standards relative to hygienic design and construction, in particular those of the EHEDG and 3-A, which have the same goal: to promote the hygienic design of the equipment.

Non contractual document and pictures, subject to change with no prior notice.

Servinox is an ISO 9001 & ISO

ООО «ТИ-СИСТЕМС» ИНЖИНИРИНГ И ПОСТАВКА ТЕХНОЛОГИЧЕСКОГО ОБОРУДОВАНИЯ

Интернет: www.tisys.ru www.tisys.kz www.tisys.by www.tesec.ru www.ти-системс.рф

Телефоны: +7 (495) 7774788, 7489626, 5007155, 54 Эл. почта: info@tisys.ru info@tisys.kz info@tisys.by

COMPARATIVE TABLE OF SAFETY VALVES designed and manufactured by SERVINOX



	Installation		
	Tank	PED Tank ¹	Process Line
BOGV	✓	✗	✗
BOG	✓	✗	✗
HSV	✓	✓	✗
BOT	✓	✓	✗
SHP	✓	✓	✓

** Tanks subject to the Pressure Equipment Directive (PED) 2014/68/UE where the service pressure is more than 0.5 bar*

	Functionality					
	Pressure	Vacuum	Thermal shocks	Blow-off collection	Freeze protection	Autonomus operation
BOGV	✓	✓	✗	✗	✗	✓
BOG	✓	✓	✓	✓	✓	✓
HSV	✓	✓	✓	✓	✓	✓
BOT	✓	✗	✗	✓	✗	✓
SHP	✓	✗	✗	✓	✗	✓

	Compliance			
	Standard version	On request	Seals	Seals on request
BOGV	-	-	FDA, CE ²	-
BOG	-	ATEX, DESP 2014/68/UE	FDA, CE ²	USP Class VI
HSV	3-A 58-01	DESP 2014/68/UE	FDA, CE ²	-
BOT	DESP 2014/68/UE	-	FDA, CE ²	-
SHP	ATEX 2014/34/UE DESP 2014/68/UE	-	FDA, CE ²	USP Class VI

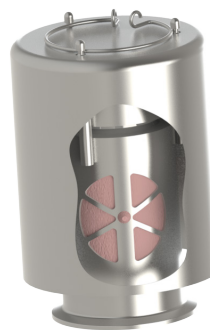
² CE : 1935/2004/CE (contact alimentaire)

Non contractual document and pictures, subject to change with no prior notice.

Only the commercial offer and the technical manual supplied with the equipment may be used for technical and legal purposes.

**Pressure & vacuum safety valve
for storage tank
in a protected atmosphere**

BOGV[®]



OVERVIEW :

The BOGV valve is intended to protect inerted storage tanks, more especially in the wine producing domain, against vacuums (vacuum breaker) and excess pressures.

KEY BENEFITS :

- ▲ Combined pressure and vacuum valve
- ▲ Specially designed for storage tanks in protected atmospheres
- ▲ Fully autonomous (no external control required for its operation)
- ▲ Simplified and cost-effective maintenance
- ▲ Low pressure sealing (regulation of the gas stratification and control of the nitrogen consumption)
- ▲ The best quality/price ratio on the market

APPLICATIONS :

- ▲ Storage of food and non-food products and more especially wines and champagnes
- ▲ Tanks where the inerting value is between 15 and 35 mbars and where the service temperature does not exceed 40 °C
- ▲ Exclusively designed to transport gases (in case of overflow, the valve elements must be dismantled and cleaned manually)

TECHNICAL SPECIFICATIONS :

Sizes: DN 50

Tank connection: Straight vertical Clamp SMS 76

Pressure setting by weight in stainless steel: 40 mbar

Vacuum-relief setting by VMQ membrane (Silicone): -1 mbar

Maximum pressure in the tank: 80 mbar

Tank fill rate: Up to 100 m³/h (pressure in the tank below 80 mbar)

Tank draw-off rate: Up to 100 m³/h (vacuum in the tank between 0 and -5 mbar)

Service temperature: +5°C to 40°C

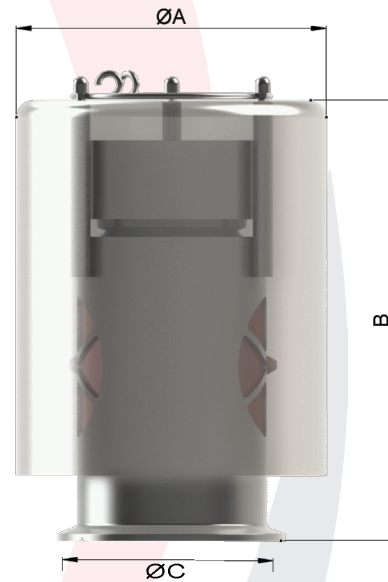
Washing temperature: +85°C maximum (in natural cooling conditions and with no thermal shocks)

Materials:

- Parts in contact with the product: 1.4404 (316L) stainless steel
- Other parts: 1.4307 (304L) stainless steel
- Sealing: EPDM (Ethylene Propylene Diene Monomer) and VMQ (Silicone) gaskets

DIMENSIONS IN MM :

SIZES	DN 50
Ø A	124
B	176
Ø C	91



GUARANTEE :

12 months from the date of shipment (*except in the case of special conditions*)

COMPLIANCE :

- Elastomer gaskets compliant with **FDA CFR 21.177.2600** and **1935/2004/EC** ruling

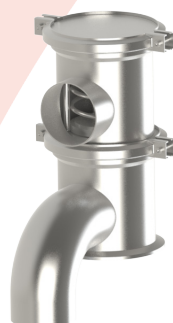
SERVINOX follows the recommendations of international guidelines and standards relative to hygienic design and construction, in particular those of the EHEDG and 3-A.

Non contractual document and pictures, subject to change with no prior notice.

Only the commercial offer and the technical manual supplied with the equipment may be used for technical and legal purposes.

Pressure, vacuum-relief
& gas collection safety valve
for inerted tanks

BOG[®]



Sealing :



Optional
sealing :



OVERVIEW :

BOG safety valves are intended to protect low pressure tanks not covered by PED against vacuums (vacuum breaker) and/or excess pressure. Depending on the version, the valve blow-off can be collected.

SERVINOX possesses design tools to dimension a valve with respect to tank characteristics (diameter, height), resistance (pressure, vacuum) and washing conditions (temperature, flow-rate).

KEY BENEFITS :

- ▲ Fully autonomous (no external control required for its operation)
- ▲ Different models available according to requirements: Pressure/vacuum (with or without blow-off collection), Pressure only (with or without blow-off collection), Vacuum only
- ▲ Safety valves compatible with hot/cold washing (after validation by the validation tool)
- ▲ Simplified and cost-effective maintenance
- ▲ Low pressure sealing
- ▲ Hygienic design
- ▲ Freeze protection option on request

APPLICATIONS :

- ▲ Manufacture and storage of food and non-food products in a controlled atmosphere (dairy products, beverages, waters, creams and other cosmetic products, fine chemicals, etc.)
- ▲ Tanks not covered by PED, where the service pressure is less than 0.5 bar and the service temperature is less than 120 °C
- ▲ Exclusively designed to transport gases

Servinox is an ISO 9001 & ISO

ООО «ТИ-СИСТЕМС» ИНЖИНИРИНГ И ПОСТАВКА ТЕХНОЛОГИЧЕСКОГО ОБОРУДОВАНИЯ

Интернет: www.tisys.ru www.tisys.kz www.tisys.by www.tesec.ru www.ти-системс.рф

Телефоны: +7 (495) 7774788, 7489626, 5007155, 54 Эл. почта: info@tisys.ru info@tisys.kz info@tisys.by

TECHNICAL SPECIFICATIONS :

Sizes: DN 40, DN 65, DN 100, DN 150 compliant with most connection standards (DIN, SMS, OD, ISO)

Tank connection: Smooth weld end, male, female, clamp, flange

Washing nozzle connection (option): Mini-clamp

Weight pressure calibration: 2 to 50 mbar

Pressure calibration with spring: 50 to 490 mbar

Weight vacuum calibration: -2 to -50 mbar

Vacuum calibration with spring: from -50 mbar

Temperature: +1 °C to 120 °C

Inside surface state: Ra 0.8 µm

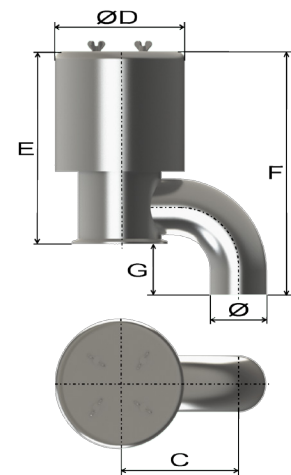
Materials:

- Parts in contact with the product: 1.4404 (316L) stainless steel
- Non-return valves: PTFE (polytetrafluoroethylene, eq. Teflon®) or 1.4404 (316L) stainless steel as per calibration
- Other parts: 1.4307 (304L) stainless steel
- Sealing: EPDM (Ethylene Propylene Diene Monomer) seals

DIMENSIONS IN MM (approximate values only) :

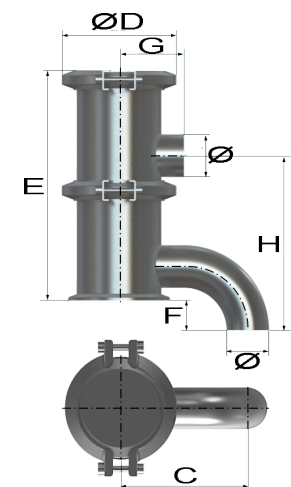
Pressure & vacuum valve :

BOG A Size	DN 40		DN 65		DN 100	DN 150
	SMS	DIN	SMS	DIN	SMS	DIN
C	110	110	152	177	197	392
D	120	120	162	162	325	325
E	204	204	240	240	311	357
F	225	237	303	312	385	493
G	21	33	62	72	74	136
Ø	38*1.25	41*1.5	63.5*1.6	70*2	104*2	154*2

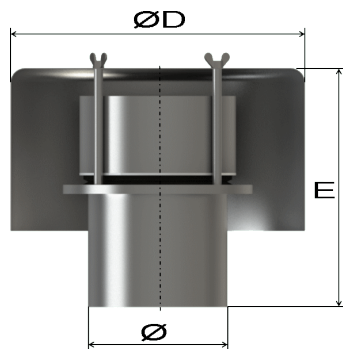


Pressure & vacuum valve, collected pressure:

BOG B Size	DN 40		DN 65		DN 100	DN 150
	SMS	DIN	SMS	DIN	SMS	DIN
C	110	110	152	177	197	392
D	102	102	132	132	196	284
E	204	204	235	235	360	476
F	21	33	62	72	74	136
G	58	69	82	102	112	167
H	151	162	219	229	313	453
Ø	38*1.25	41*1.5	63.5*1.6	70*2	104*2	154*2

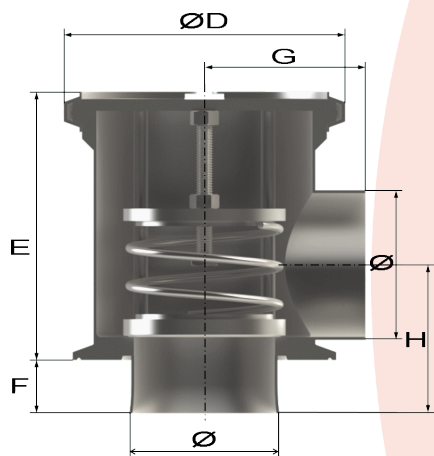


Non contractual document and pictures, subject to change with no prior notice..



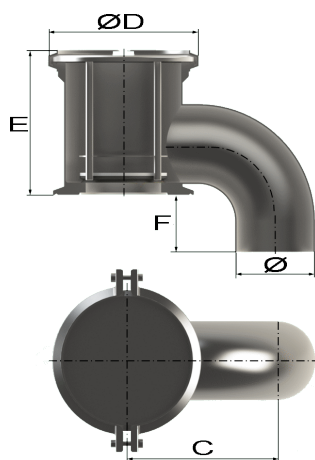
Pressure valve :

BOG C Size	DN 40		DN 65		DN 100	DN 150
	SMS	DIN	SMS	DIN	SMS	DIN
D	120	120	162	162	325	325
E	125	131	180	180	325	264
ø	38*1.25	41*1.5	63.5*1.6	70*2	104*2	154*2



Collected pressure valve :

BOG D Size	DN 40		DN 65		DN 100	DN 150
	SMS	DIN	SMS	DIN	SMS	DIN
D	102	102	132	132	196	284
E	108	108	123	123	188	248
F	23	23	25	25	25	12
G	58	69	82	102	112	167
H	54	57	68	71	91	101
ø	38*1.25	41*1.5	63.5*1.6	70*2	104*2	154*2



Vacuum valve :

BOG E Size	DN 40		DN 65		DN 100	DN 150
	SMS	DIN	SMS	DIN	SMS	DIN
C	110	110	152	177	197	392
D	102	102	132	132	196	284
E	108	108	123	123	188	248
F	21	33	62	72	74	136
ø	38*1.25	41*1.5	63.5*1.6	70*2	104*2	154*2

Non contractual document and pictures, subject to change with no prior notice..

OPTIONS :

- Compliant «ATEX 2014/34/UE, zones 1 & 2, gas & dust» (models with blow-off collection)
- Compliant PED (vacuum valve)
- Drip collector and anti-insect filter on the vacuum part
- Washing nozzle (the drip collector and anti-insect filter are highly recommended)
- Sterile air intake on elbow-joint enabling all inerting and protection functions to be included on a single tank spigot
- Inductive opening detection in vacuum
- Protection against freezing by a temperature probe, heater cable and thermostat, to ensure valve operation at outdoor temperatures lower than 0 °C
- Specific surface state on request (inside and/or outside)
- Other gaskets (specific service conditions): FKM (Fluorocarbon rubber, eq. Viton®), VMQ (Silicone), NBR (Nitrile rubber), FFKM (Perfluoroelastomer, eq. Kalrez®)
- Gaskets USP Class VI compliant
- PTFE valves + 15 % graphite (ATEX version)

GUARANTEE :

12 months from the date of shipment (except in the case of special conditions)

COMPLIANCE :

- Elastomer gaskets compliant with **FDA CFR 21.177.2600** and **1935/2004/EC** ruling
- Optional: «**ATEX 2014/34/EC**, zones 1 & 2, gas & dust» version on the models with blow-off collection,
- Optional: European PED **2014/68/EC** version on the vacuum model
- Optional: Elastomer gaskets **USP Class VI** compliant

SERVINOX follows the recommendations of international guidelines and standards relative to hygienic design and construction, in particular those of the EHEDG and 3-A.

Non contractual document and pictures, subject to change with no prior notice.

Only the commercial offer and the technical manual supplied with the equipment may be used for technical and legal purposes.

Pressure, vacuum-relief
& thermal shock safety valve 3-A
for process or storage tank
HSV-A[®]



Optional :



Sealing :



OVERVIEW :

The valves in the HSV range are hygienic equipment intended to protect tanks against vacuums (vacuum breaker) and/or excess pressure. They are fitted with a technical tube (washing function, sterile air intake). The pressurised function blow-off is collected. The passage sections, different for pressure and vacuum, are specifically designed to protect the tanks against sudden temperature variations resulting from hot washing (and SIP) followed by a cold rinse.

SERVINOX possesses design tools to dimension a valve with respect to tank characteristics (diameter, height), resistance (pressure and vacuum) and washing conditions (temperature, flow-rate).

KEY BENEFITS :

- ▲ Valve certified 3-A 58-01
- ▲ Combined pressure and vacuum
- ▲ Specially designed for protection against thermal shocks (hot/cold washes)
- ▲ Fully autonomous (no external control required for its operation)
- ▲ Hygienic design
- ▲ Simplified and cost-effective maintenance (with no lifting or special tools)
- ▲ Numerous options available according to requirements

APPLICATIONS :

- ▲ Tanks not subject to PED compliance where the service pressure is less than 0.5 bar
- ▲ Tanks subject to PED compliance where the service pressure is more than 0.5 bar (special version available on option)
- ▲ Tanks where the service temperature does not exceed 120 °C
- ▲ Exclusively designed to transport gases

NA

TECHNICAL SPECIFICATIONS :

Drip collector and anti-insect filter in vacuum

Sizes: DN 100/65, DN 150/100, DN 250/150, DN 320/150 and DN 450/150

Connection on the tank by 90° elbow-joint: To weld, male, female, clamp, flange

Pressure setting: 50 to 500 mbar (non PED) or in PED version according to size

Vacuum-relief setting: - 5 mbar

Service temperature: +10 °C to 140 °C

Internal washing tube orientation: 180° (opposite the elbow-joint)

Blow-off collection (pressurised): To weld

Materials:

- Parts in contact with the product: 1.4307 (304L) stainless steel
- Non-return pressure valve: 1.4404 (316L) stainless steel
- Non-return vacuum valve: 1.4404 (316L) stainless steel
- Sealing: EPDM (Ethylene Propylene Diene Monomer) gaskets

Inside surface state: Ra 0.8 µm

DIMENSIONS IN MM :

Sizes	A	B	C	D	E
DN 100/65	104*2	70*2	440	136	351
DN 150/100	154*2	104*2	625	184	392
DN 250/150	254*2	154*2	801	320	655
DN 320/150	324*2	154*2	912	398	807
DN 450/150	457*3	154*2	1116	547	1124

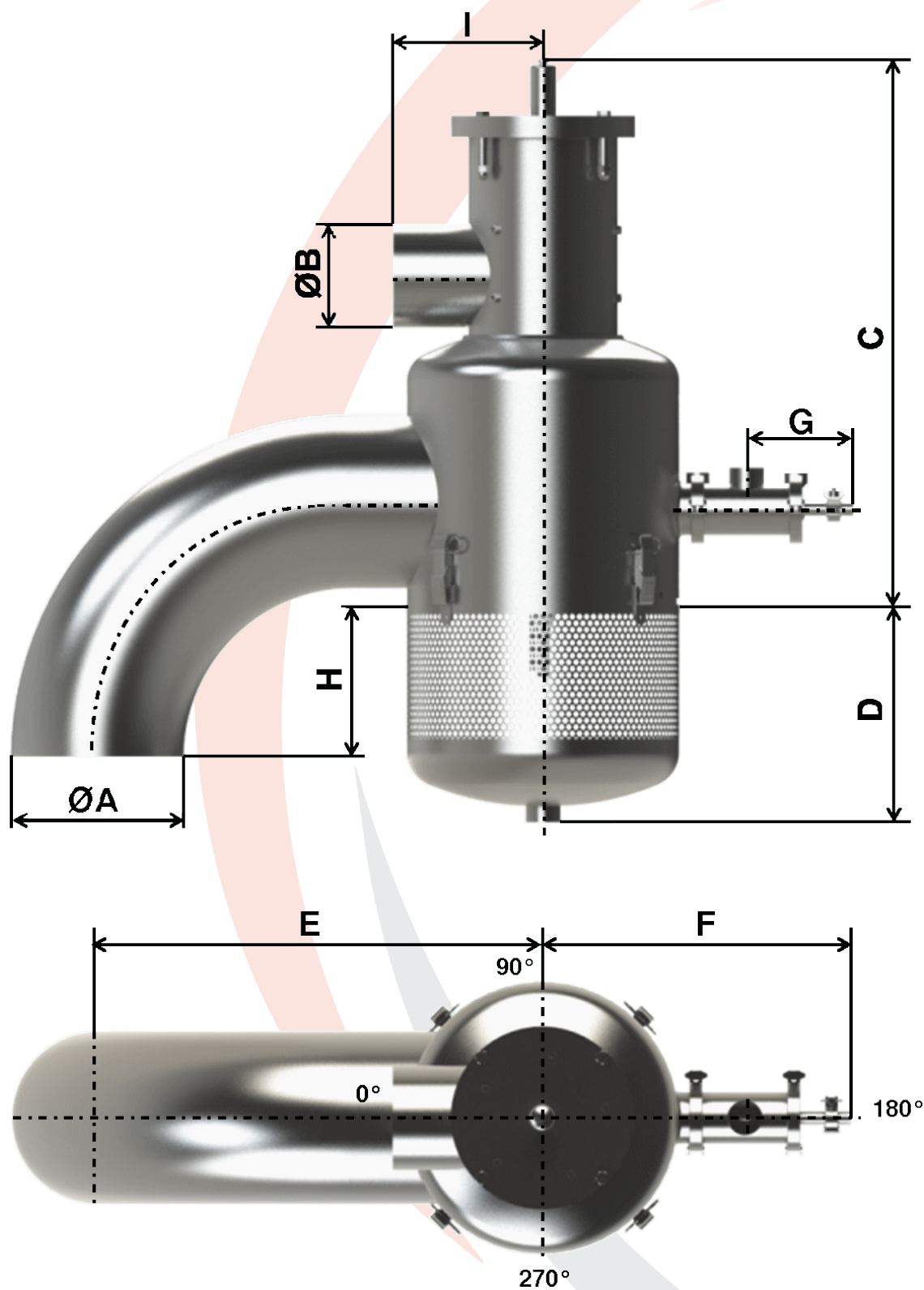
Sizes	F	G	H	I	PED max pressure calibration
DN 100/65	363	146	131	120	5
DN 150/100	364	146	129	150	4
DN 250/150	437	146	224	220	3
DN 320/150	507	156	271	220	1,5
DN 450/150	630	156	423	220	

FREEZE PROTECTION OPTION :

Sizes	Pressure function	Vacuum-relief function	Anti-snow system option (vacuum)
DN 100/65	-	-	-
DN 150/100	2 x 500W – 230V	500W – 230V	-
DN 250/150	2 x 600W – 230V	500W – 230V	450W – 230V
DN 320/150	2 x 600W – 230V	1000W – 230V	450W – 230V
DN 450/150	2 x 600W – 230V	1500W – 230V	-

Non contractual document and pictures, subject to change with no prior notice.

Only the commercial offer and the technical manual supplied with the equipment may be used for technical and legal purposes.



Non contractual document and pictures, subject to change with no prior notice..

Servinox is an ISO 9001 & ISO

ООО «ТИ-СИСТЕМС» ИНЖИНИРИНГ И ПОСТАВКА ТЕХНОЛОГИЧЕСКОГО ОБОРУДОВАНИЯ

Интернет: www.tisys.ru www.tisys.kz www.tisys.by www.tesec.ru www.ти-системс.рф

Телефоны: +7 (495) 7774788, 7489626, 5007155, 54 Эл. почта: info@tisys.ru info@tisys.kz info@tisys.by

OPTIONS :

- Modèle HSV non 3-A (températures de service de +10 °C à +100 °C)
- Conformité DESP pour des pressions de tarage supérieures à 500 mbar
- Support capteurs (pression, température) sur tubulure technique
- Détection d'ouverture inductive en dépression
- Maintien hors gel et système anti-neige
- Vérin de décollage pour ouverture forcée en pression et/ou dépression
- Raccordements clamp ou bride hygiénique
- Autres joints (conditions de service spécifiques) : FKM (caoutchouc Fluorocarboné, éq. Viton®)
- Équipement sur mesure : nous consulter

GUARANTEE :

12 months from the date of shipment (except in the case of special conditions)

COMPLIANCE :

- Compliant with **3-A 58-01**
- Elastomer gaskets compliant with **FDA CFR 21.177.2600** and **1935/2004/EC ruling**
- Optional: European PED **2014/68/EC** compliance for pressure settings above 500 mbar

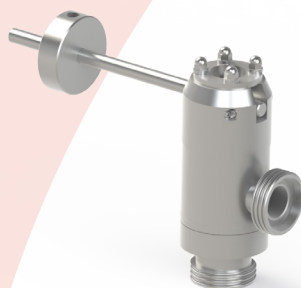
SERVINOX follows the recommendations of international guidelines and standards relative to hygienic design and construction, in particular those of the EHEDG.

Non contractual document and pictures, subject to change with no prior notice.

Only the commercial offer and the technical manual supplied with the equipment may be used for technical and legal purposes.

**Pressure safety valve
with counterweight
for process or storage tank**

BOT[®]



Etanchéité :



OVERVIEW :

The valves in the BOT range are PED certified security equipment intended to protect tanks containing group 2 gases against excess pressures (service pressure above 0.5 bar). The valve blow-off can be collected.

The valve comprises a cylindrical body and a lever mounted stainless steel counterweight, used for pressure calibration. In the event of excess pressure, the ball allows the fluid to escape to a secondary network.

As a rule, the valve is set to a pressure equal to the service pressure. Sealing is through a stainless steel ball up to 165 °C or an Arnite® ball up to 80 °C on contact with an elastomer lip seal.

SERVINOX possesses design tools to dimension a valve with respect to tank characteristics (diameter, height), resistance (pressure and vacuum) and washing conditions (temperature, flow-rate).

KEY BENEFITS :

- ▲ Fully autonomous (no external control required for its operation)
- ▲ Calibration by counterweight, ensuring excellent long-lasting reliability
- ▲ Cost-effective maintenance, with no impact on the calibration

APPLICATIONS :

- ▲ Manufacture and storage of food and non-food products in a controlled atmosphere (dairy products, beverages, waters, creams and other cosmetic products, fine chemicals, etc.)
- ▲ Tanks subject to PED compliance where the service pressure is more than 0.5 bar
- ▲ Exclusively designed to transport gases

Servinox is an ISO 9001 & ISO

ООО «ТИ-СИСТЕМС» ИНЖИНИРИНГ И ПОСТАВКА ТЕХНОЛОГИЧЕСКОГО ОБОРУДОВАНИЯ

Интернет: www.tisys.ru www.tisys.kz www.tisys.by www.tesec.ru www.ти-системс.рф

Телефоны: +7 (495) 7774788, 7489626, 5007155, 54 Эл. почта: info@tisys.ru info@tisys.kz info@tisys.by

TECHNICAL SPECIFICATIONS :

Sizes: DN25, DN32, DN38, DN40, DN50, DN51

Tank connection: Male, female, clamp, flange from DN25 to DN50 in SMS and DIN standards

Service temperature: from 0 °C to 165 °C

Pressure range: 0.5 to 6 bar

KD: 0.10

Maximum back-pressure: 0.5 bar

State of the inside surface: Ra to 0.8 µm

Materials:

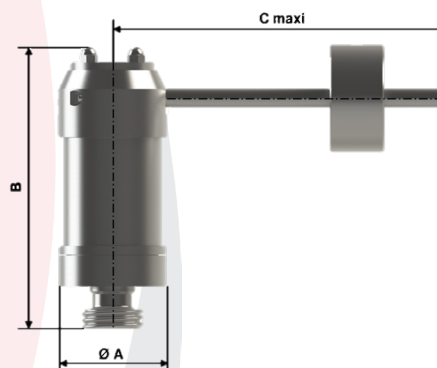
- Parts in contact with the product: 1.4404 (316L) stainless steel
- Other parts: Stainless steel 1.4301 (304L) and nickel-plated brass
- Sealing: VMQ (Silicone) or FKM seals (Fluorocarbon rubber, eq. Viton®)

DIMENSIONS IN MM (pproximate values only) :

Models 51 (max 80°) and 61 (max 165°): Straight lower connection and blow-off not collected

DIN Sizes	DN 25	DN 32	DN 40	DN 50
A	69	69	88	88
B	183	183	203	203
C	453	453	462	462

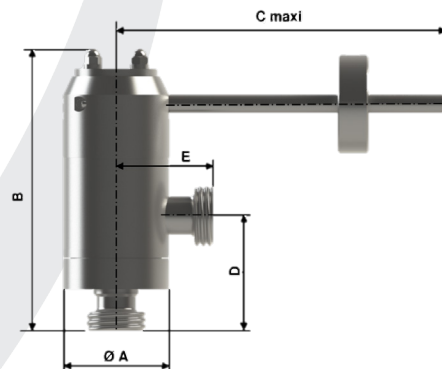
SMS Sizes	DN 25	DN 38	DN 51
A	65	88	88
B	183	203	203
C	453	465	465



Models 52 (max 80°) and 62 (max 165°): Straight lower connection and blow-off collected

DIN Sizes	DN 25	DN 32	DN 40	DN 50
A	60	60	99	99
B	183	183	203	203
C	453	453	465	465
D	77	77	85	85

SMS Sizes	DN 25	DN 38	DN 51
A	63	77	77
B	183	203	203
C	453	465	465
D	77	85	85

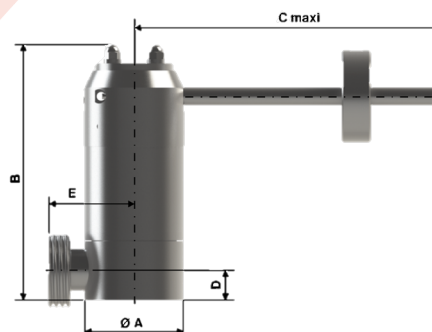


Non contractual document and pictures, subject to change with no prior notice..

Models 53 (max 80°) and 63 (max 165°): Side connection and blow-off not collected

DIN Sizes	DN 25	DN 32	DN 40	DN 50
A	60	60	71	71
B	175	175	202	202
C	453	453	465	465
D	21	21	25	25

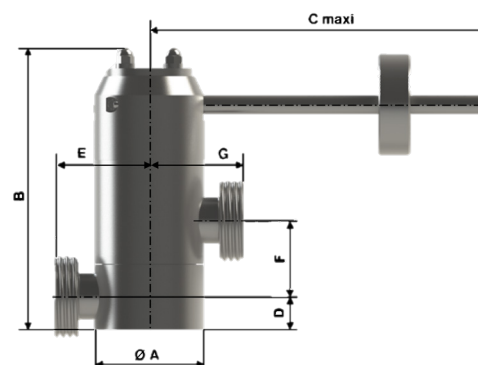
SMS Sizes	DN 25	DN 38	DN 51
A	63	77	77
B	175	202	202
C	453	465	465
D	21	25	25



Models 54 (max 80°) and 64 (max 165°): Side connection and blow-off collected

DIN Sizes	DN 25	DN 32	DN 40	DN 50
A	60	60	99	99
B	175	175	202	202
C	453	453	465	465
D	48	48	59	59
E	21	21	25	25
F	60	60	99	99

SMS Sizes	DN 25	DN 38	DN 51
A	63	77	77
B	175	202	202
C	453	465	465
D	48	59	59
E	21	25	25
F	63	77	77

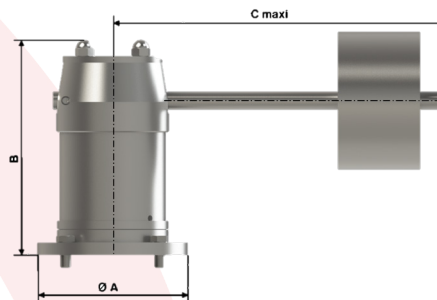


Non contractual document and pictures, subject to change with no prior notice..

Models 55 (max 80°) and 65 (max 165°): Straight flange connection and blow-off not collected (assembly on buffer)

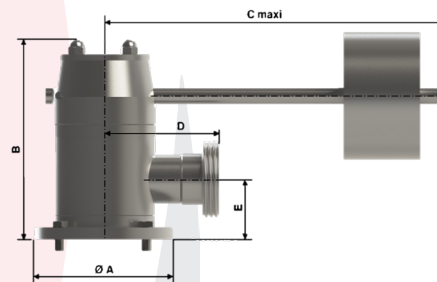
DIN Sizes	DN 25	DN 40
A	100	120
B	155	170
C	453	465

SMS Sizes	DN 25	DN 38
A	100	120
B	155	170
C	453	465



Models 56 (max 80°) and 66 (max 165°): Straight flange connection and blow-off collection (assembly on buffer)

Sizes	DIN		SMS	
	DN 25	DN 40	DN 25	DN 38
A	100	120	100	120
B	155	170	155	170
C	453	465	453	465
D	50	52	50	52
E	60	99	63	77



OPTIONS :

- Specific surface state on request (inside and/or outside)
- Arnite® ball (service temperatures below 80 °C)
- Loosening cylinder to allow the passage of CIP liquid inside the valve (not in operation)
- Forced opening detection by loosening cylinder
- Blow-off collection
- Other gaskets (specific service conditions): EPDM (Ethylene-Propylene-Diene Monomer) (service temperatures below 120°C)

GUARANTEE:

12 months from the date of shipment (except in the case of special conditions)

COMPLIANCE :

- European PED 2014/68/EC compliant
- Elastomer gaskets compliant with FDA CFR 21.177.2600 and 1935/2004/EC ruling

Non contractual document and pictures, subject to change with no prior notice.

Only the commercial offer and the technical manual supplied with the equipment may be used for technical and legal purposes.

High performance
pressure safety valve
for tank or process line

SHP[®]



CE

Sealing :



Optional
sealing :



OVERVIEW :

The valves in the SHP range are PED certified security equipment intended to protect production lines and tanks containing group 2 gaseous fluids against excess pressures (service pressure above 0.5 bar). The pressurised blow-off is collected. SERVINOX possesses tools to dimension a valve with respect to tank or transfer line characteristics (diameter, height) and service conditions.

KEY BENEFITS :

- ▲ High performance safety valve: KD gas and vapour 0.74
- ▲ Flush hygienic design on tank dome with RA less than 0.6 µm
- ▲ Fully autonomous (no external control required for its operation)
- ▲ Compliant with «ATEX 2014/68/CE zones 1 & 2, gas and dust»

APPLICATIONS :

- ▲ Tank and process equipment demanding the highest standards in hygiene (agrifood, pharmaceuticals, cosmetics)
- ▲ Tanks subject to PED compliance where the service pressure is more than 0.5 bar
- ▲ Designed to transport groups 1 & 2 gases and water vapours (in line with component compatibility with the products)

TECHNICAL SPECIFICATIONS :

Sizes: DN 08, DN 13, DN 20, DN 25, DN 32, DN 40

Connection: Clamp

Pressure setting: 0.5 to 8 bars

Service temperature: 1 °C (freeze protection) to 200 °C, according to sealing

Permitted fluids: Groups 1 & 2 vapours and gases

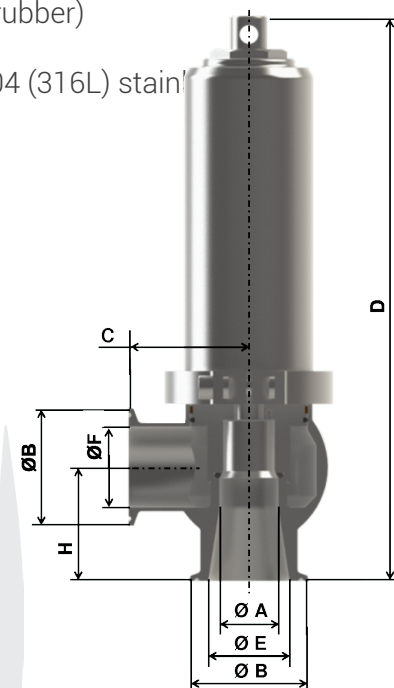
Materials in contact with the product:

- Body, seat and non-return valve: 1.4404 (316L) or 1.4409 stainless steel
- Sealing: EPDM (Ethylene-Propylene-Diene Monomer) and NBR (Nitrile rubber) gaskets (max 120 °C)

Materials not in contact with the product: 1.4306 or 1.4307 (304L) or 1.4404 (316L) stainless steel

DIMENSIONS IN MM (standard version) :

Sizes	ØA	ØB	C	D	ØE*	ØF*	H
DN 08	8	25	43	132	9,4 (OD 15)	14 (ISO 10)	35
DN 13	13	50,5	60	174	18,1 (ISO 15)	18,1 (ISO 15)	40
DN 20	20	50,5	62	250,5	29,7 (ISO 25)	29,7 (ISO 25)	47
DN 25	25	50,5	57	290	34,8 (OD 38)	34,8 (OD 38)	49
DN 32	32	64	65	308	44,3 (ISO 40)	44,3 (ISO 40)	62
DN 40	40	77,5	83	406	56,3 (ISO 50)	56,3 (ISO 50)	81



OPTIONS :

- Manual forced opening; automatic (from DN20)
- Pressurised inductive opening detection
- Other gaskets (specific service conditions): FKM (Fluorocarbon rubber, eq. Viton®), FFKM (Perfluoroelastomer, eq. Kalrez®), VMQ (Silicone), HNBR (Hydrogenated Nitrile rubber), NBR (Nitrile rubber),
- Gaskets **USP Class VI** compliant
- * ØE and ØF: other connection dimensions possible (please contact us)

GUARANTEE:

12 months from the date of shipment (except in the case of special conditions)

COMPLIANCE :

- Compliant with European PED **2014/68/EC** and «**ATEX 2014/34/EC** zones 1 & 2, gas and dust»
- Elastomer and plastomer gaskets compliant with **FDA CFR 21.177.2600** and **1935/2004/EC** ruling
- Optional: **USP Class VI** compliant gaskets

SERVINOX follows the recommendations of international guidelines and standards relative to hygienic design and construction, in particular those of the EHEDG and 3-A.

Non contractual document and pictures, subject to change with no prior notice.

Only the commercial offer and the technical manual supplied with the equipment may be used for technical and legal purposes.

SERVINOX

3 RANGES FOR 3 PRIORITIES...

Servinox, through its 3 main areas of expertise, invites the players in all sectors of industry to embark on a real momentum for progress:

Safety
& Protection



Quality
& Traceability



Efficiency
& Environment



... AND SOLUTIONS FOR SPECIFIC PROBLEMS.

Because the demands of industry players have evolved and shall continue to do so, Servinox is pleased to make available its research for enhancing performance.

« Tailor-made solutions engineered for you »

The dynamism of our company is reflected by our teams and their ongoing research for solutions, each one of which can be adjusted to a specific activity (agrifood, cosmetology, pharmaceuticals, etc.) and using regularly updated modelling, design, manufacturing, control and testing tools.

This ensures we have the skills and capacity to work on your specific problems, regardless of the momentum or phase of your activity.